

AGXCEL REMOTE MOUNT PRESSURE GAUGE KIT

60 PSI - ELECTRIC PUMP(S)
160 PSI - HYDRAULIC PUMP

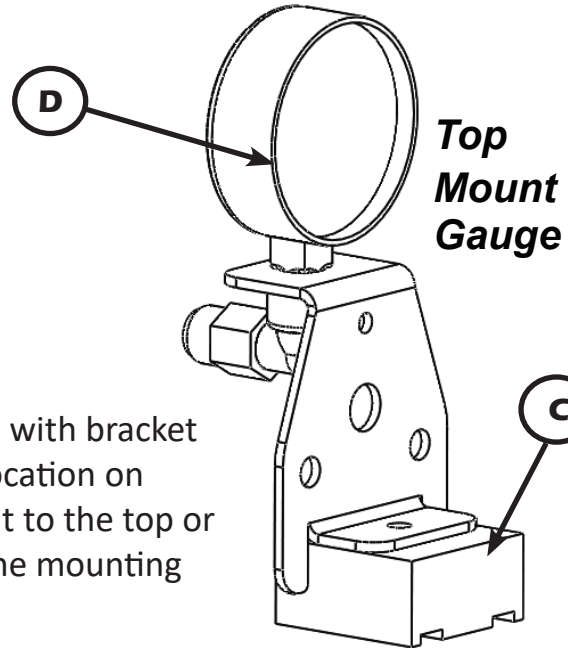
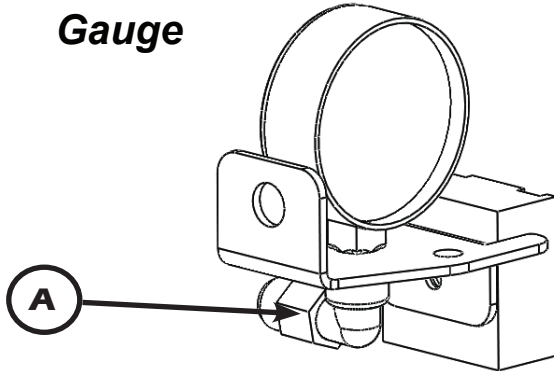
PN#53769
PN#53770



116 E 6TH ST
KEARNEY NE 68847

877.218.1981

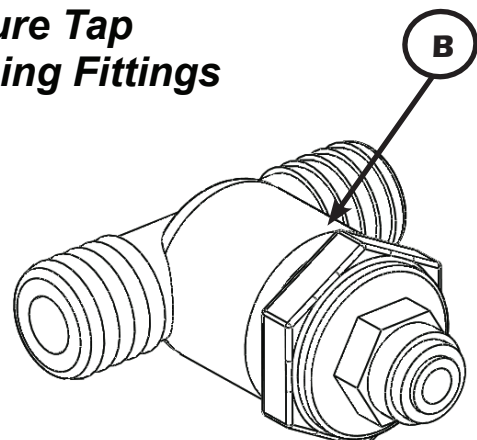
Side Mount Gauge



The remote pressure gauge kit includes a gauge with bracket and magnet for easily mounting in any visible location on your implement. The bracket will work to mount to the top or side of a metal frame. Assemble as shown for the mounting that works best in your application.

Also included in each kit are the plumbing fittings to tap into your system. Assemble the 3/4" tee, 3/4" x 1/4" reducer bushing and 1/4" quick connect adapter as shown to the right. Install this assembly in 3/4" hose prior to your manifolds and orifices.

Pressure Tap Plumbing Fittings



Finally, run the 1/4" black tubing from the tee assembly to the gauge mount location.

GAUGE KIT INSTALLATION INSTRUCTIONS:

1. Install inline tee with 1/4" quick connect between final filter and before manifold.
2. Use 1/4" tubing to plumb the gauge and use the magnetic mount to place gauge where desired.
3. For automated systems, ensure that the gauge kit tee is installed at least 24" after the flowmeter but before the manifold.

KIT COMPONENTS		
	PN#	DESCRIPTION
	A	168 QC9
	B	20340 INLINE ILG TEE
	C	17960 MAGNET MOUNT
NOT SHOWN	19646	#12 STAINLESS STEEL CLAMPS QTY=2
ONLY 1 GAUGE PER KIT	33816	4" AMMONIA 60 PSI GAUGE
	33812	4" AMMONIA 160 PSI GAUGE

